



Paulmann

Safety Instructions

1, 4, 5, 8, 12, 14, 17, 20, 33, 34



31.08.2021

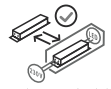
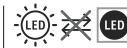


A++ - A

01.09.2021



E



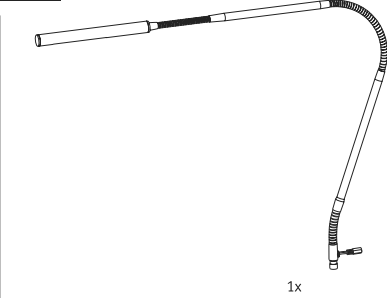
www.paulmann.com/symbols

Paulmann Licht GmbH
Quezinger Feld 2
31832 Springe
Germany

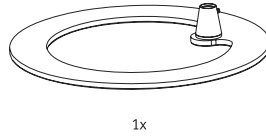


www.paulmann.com

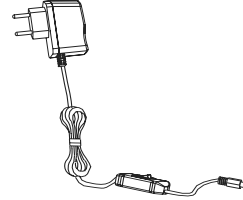
Art.-Nr.: 749.94/95



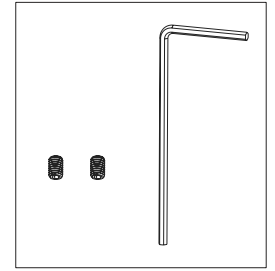
1x



1x



1x

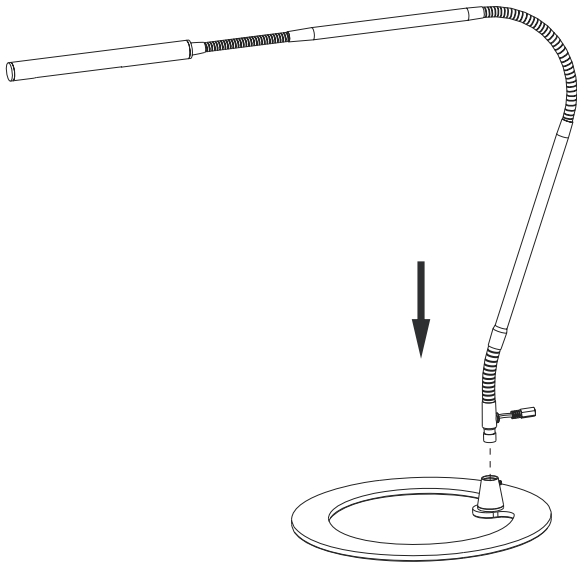


Incl.

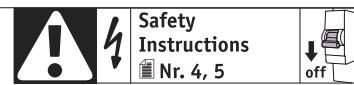
(+MA 0326)PKE 07/22



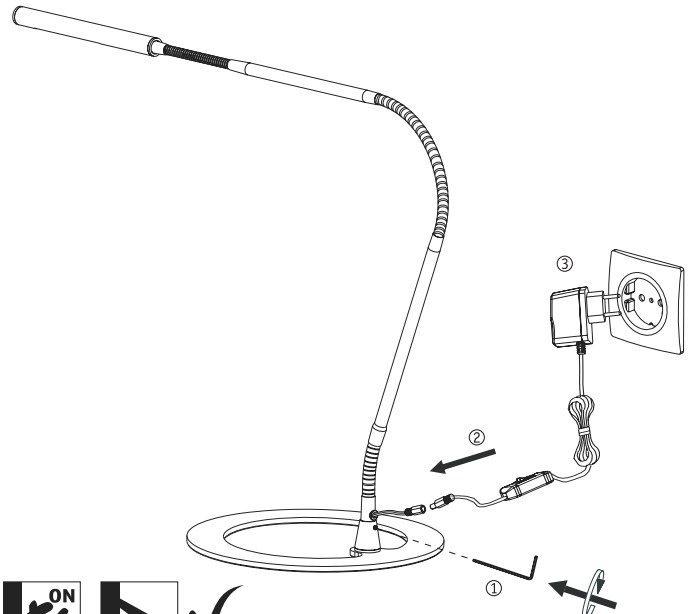
A



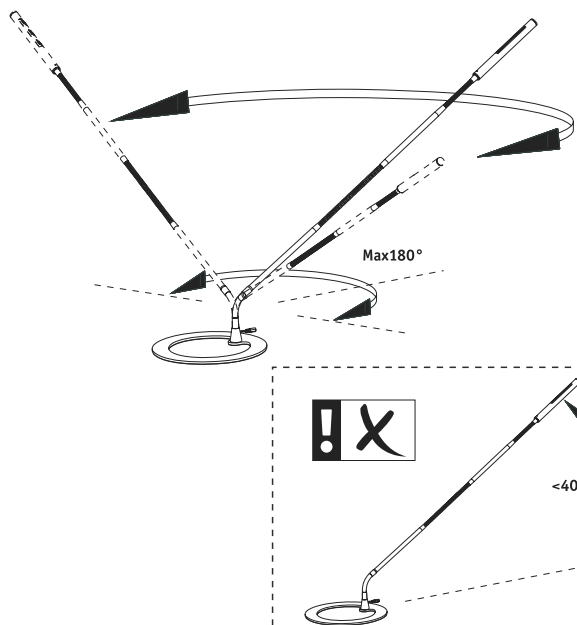
B



Safety Instructions
Nr. 4, 5

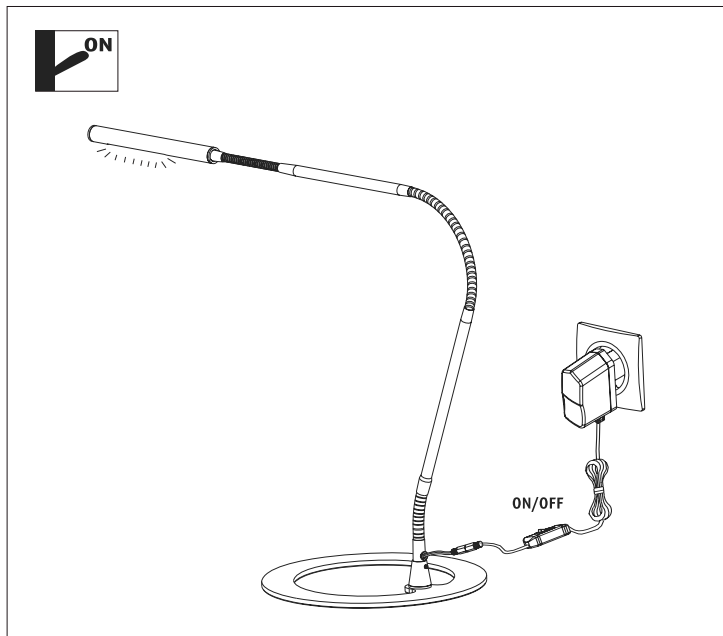


C



Max180°

<40°



ON/OFF

