

LeuchtenDirekt

LeuchtenDirekt GmbH
 Olakenweg 36 · D-59457 Werl
 ☎ +49(0)2922 9721 9290
 ✉ Kundenservice@neuhaus-group.de
 www.leuchtendirekt.de



Leuchten**Direkt**

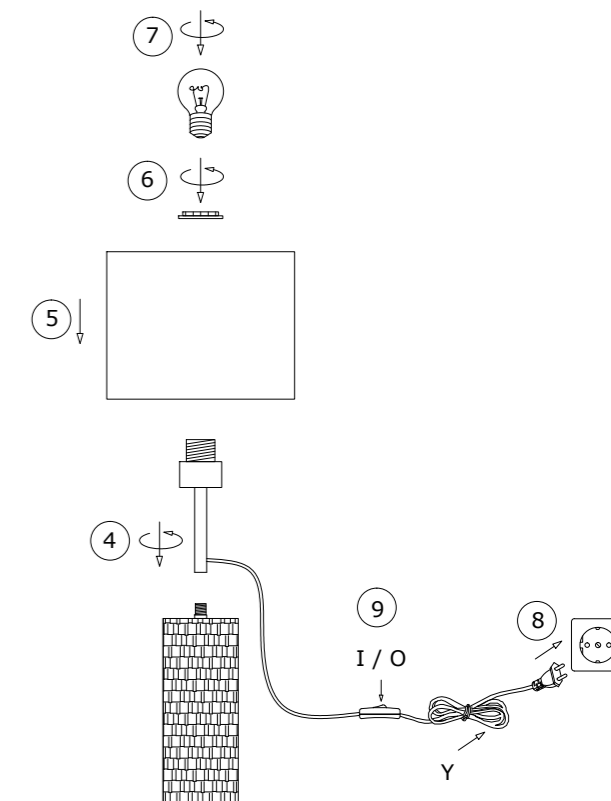
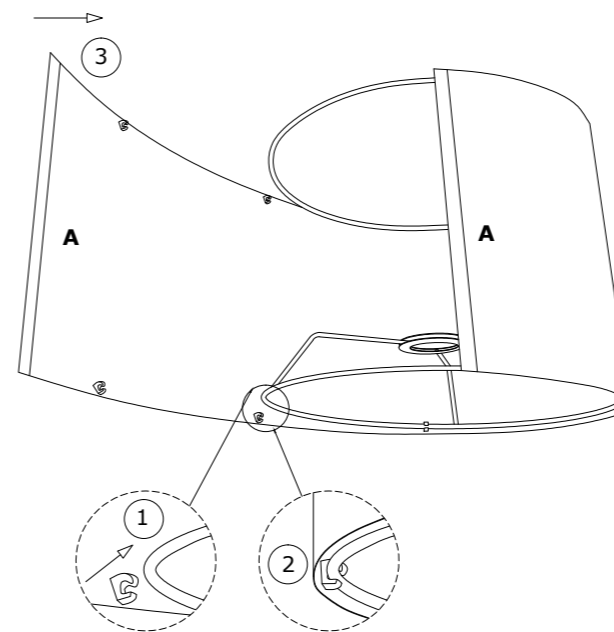
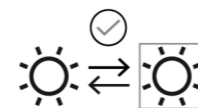
997594 - BARK

- DE
- GB
- FR
- BG
- CZ
- DK
- EL
- ES
- ET
- FI
- HR
- HU
- IT
- LT
- LV
- NL
- NO
- PL
- PT
- RO
- RU
- SK
- SL
- SR
- SV
- TR

997594

230V / 50Hz~

1x E27 / 40W



1. $\int_0^1 x^2 dx = \frac{1}{3}$
2. $\int_0^1 x^3 dx = \frac{1}{4}$
3. $\int_0^1 x^4 dx = \frac{1}{5}$

4. $\int_0^1 x^5 dx = \frac{1}{6}$
5. $\int_0^1 x^6 dx = \frac{1}{7}$
6. $\int_0^1 x^7 dx = \frac{1}{8}$

7. $\int_0^1 x^8 dx = \frac{1}{9}$
8. $\int_0^1 x^9 dx = \frac{1}{10}$
9. $\int_0^1 x^{10} dx = \frac{1}{11}$